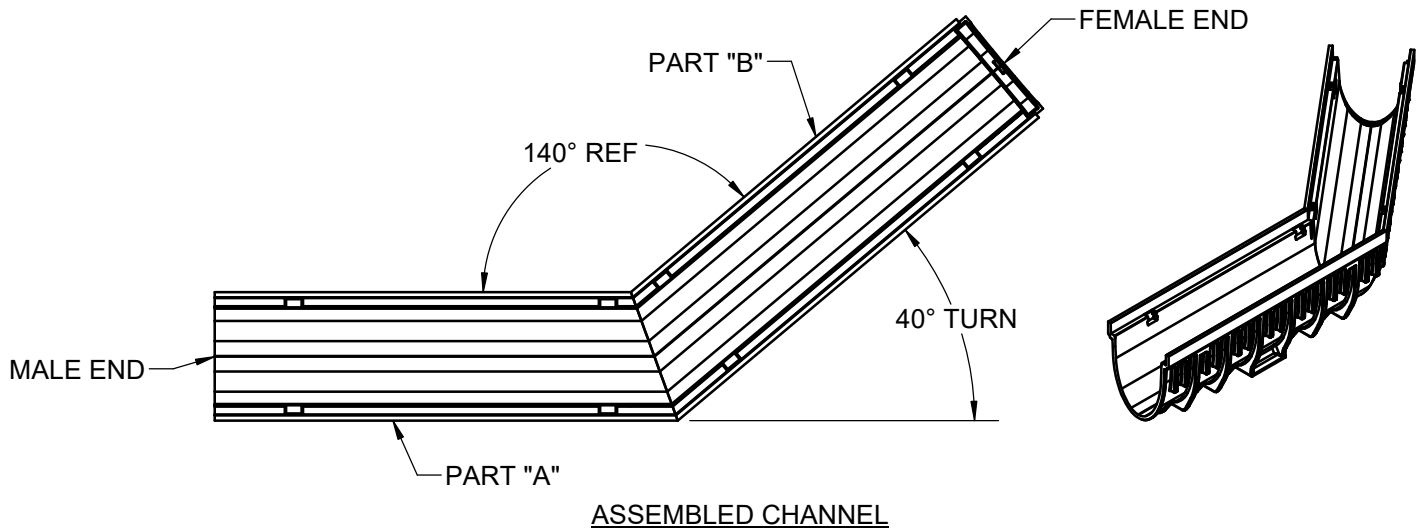


## SPECIFICATION:

PROPLUS MITER CUT PROCEDURE. THIS EXAMPLE SHOWS A 40° TURN. REQUIRES: MITER SAW (RECOMMEND DIAMOND BLADE) LARGE ENOUGH TO FULLY CUT CHANNEL, SAND PAPER, AND FIBERGLASS PATCH REPAIR KIT (AVAILABLE AT HOME IMPROVEMENT STORES).

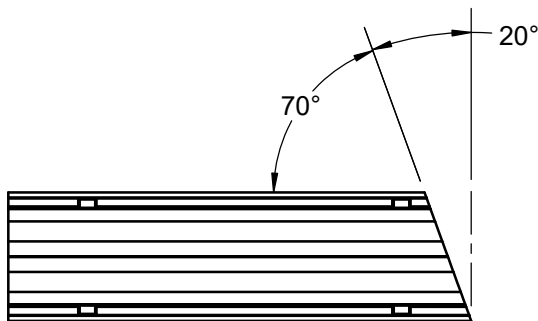
## MITER CUT PROCEDURE PROPLUS

SERIES **100/200/300**

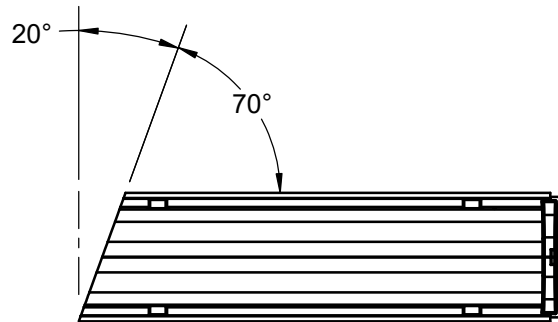


### INSTRUCTIONS

1. DETERMINE ANGLE TO CUT CHANNELS. TO CREATE PROPER JOINT, CHANNELS MUST HAVE EQUAL ANGLED CUTS FOR INSIDE AND OUTSIDE EDGES TO MATCH UP. FOR A 40° MITER EXAMPLE, EACH CHANNEL REQUIRES A 20° MITER OFF OF THE STANDARD 90° CUT. MARK CUTS ON TOP OF CHANNEL. TRACE LINES DOWN OUTSIDE OF CHANNELS.



PART "A" DETAIL



PART "B" DETAIL

2. SET CHANNELS UPSIDE DOWN ON MITER SAW (RECOMMEND DIAMOND BLADE). SET MITER SAW TO 70° OR 110° DEPENDING ON THE ORIENTATION.. SLOWLY CUT THRU CHANNELS AND CLEAN ENDS WITH SAND PAPER.
3. MATE CHANNELS UPSIDE DOWN ON A HARD AND FLAT SURFACE. APPLY FIBERGLASS PATCH KIT TO JOINT. KEEP THE PATCH BELOW THE TOP OF THE CHANNEL SO IT WONT BE VISIBLE AFTER CONCRETE POUR. ALLOW TO CURE COMPLETELY.
4. (OPTIONAL) FLIP CHANNEL OVER AND APPLY SEALANT TO INSIDE OF JOINT. FILL ANY VISIBLE GAPS.

DATE OF LAST CHANGE: 8/16/19

DIMENSIONS ARE SUBJECT TO MANUFACTURERS TOLERANCES AND CHANGE WITHOUT NOTICE. WE CAN ASSUME NO RESPONSIBILITY FOR USE OF SUPERSEDED OR VOID DATA.

# JOSAM

MICHIGAN CITY, INDIANA

NOTES